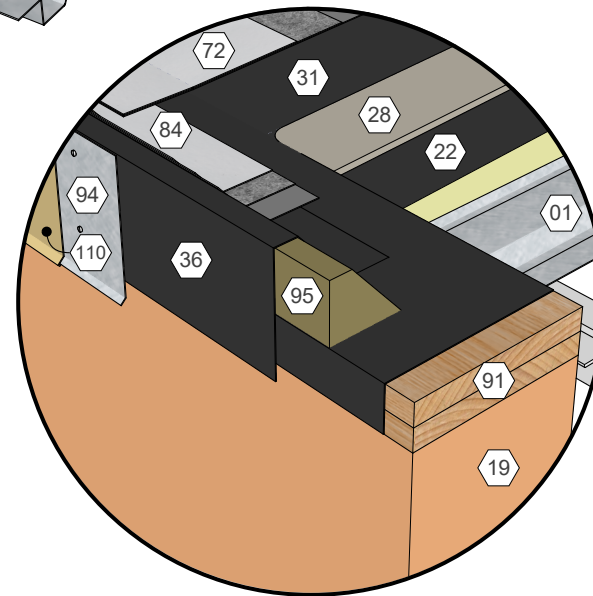


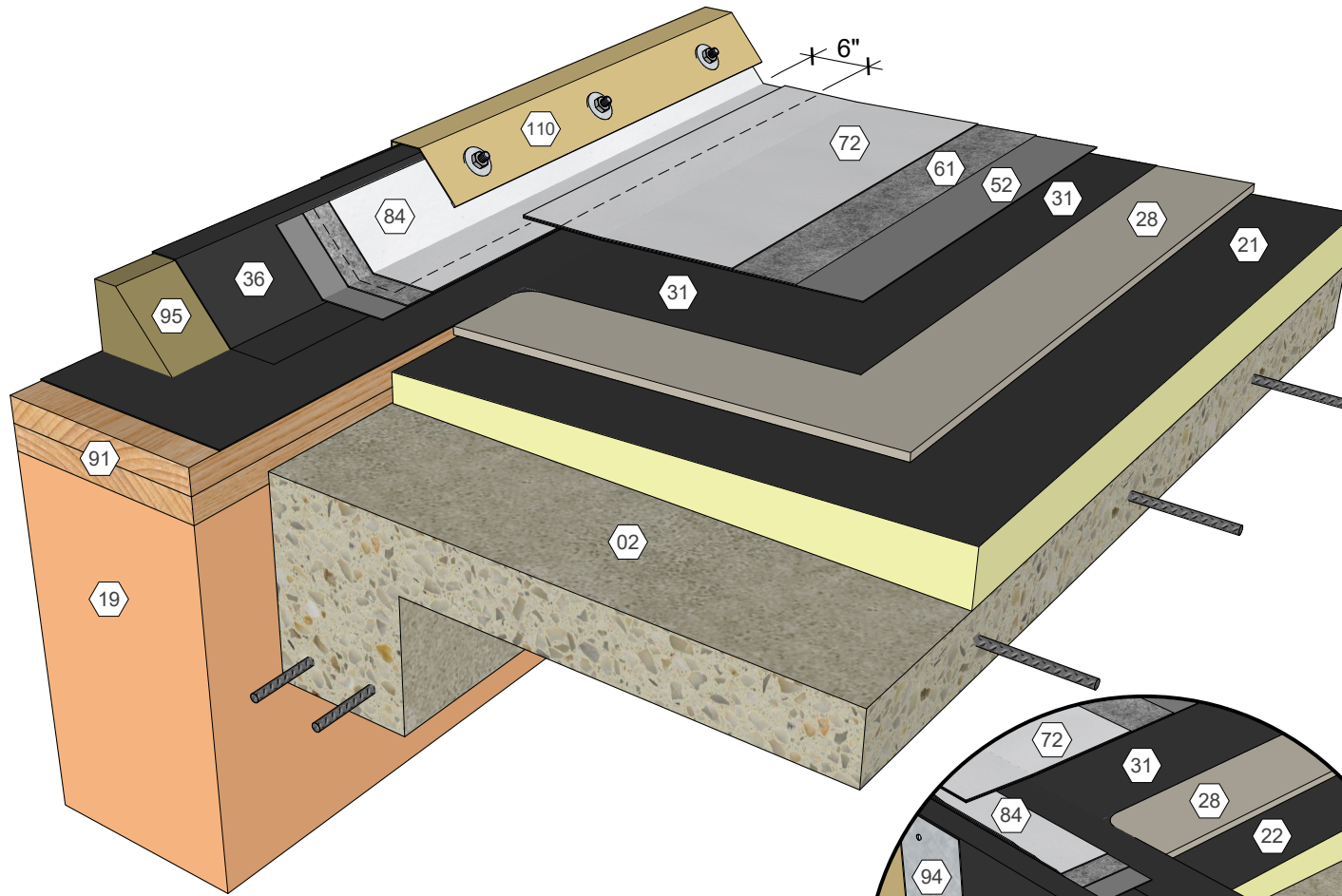
KEY NOTES

- 01 Metal Deck
- 09 Roof Structure
- 19 Wall Assembly
- 22 Polyisocyanurate Insulation (Fastened or Adhered)
- 28 Cover Board (Adhered)
- 31 Approved Base Ply Sheet
- 36 Base Sheet Liner
- 52 AlphaGuard BIO Base Coat
- 61 AlphaGuard Glass Mat or Permafab
- 72 AlphaGuard BIO Top Coat
- 84 AlphaGuard Flashing
- 91 Wood Blocking
- 94 Continuous Cleat
- 95 Cant Strip
- 110 Sheet Metal Fascia Cap

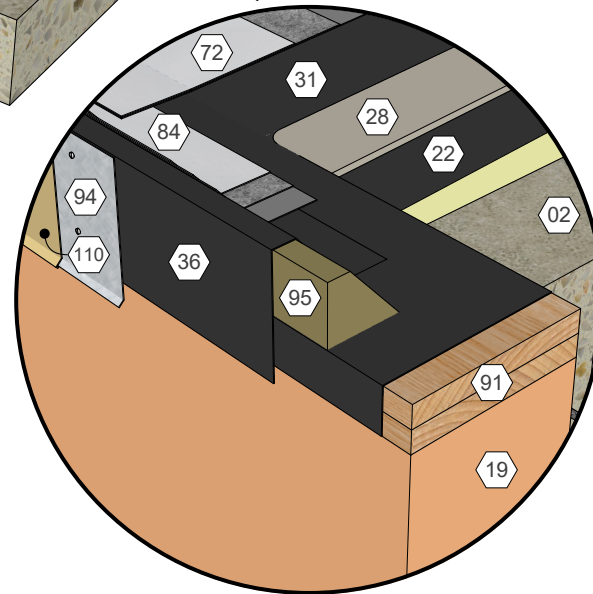


AlphaGuard® BIO Plus Raised Perimeter Edge Detail, Metal Deck
Detail 23021

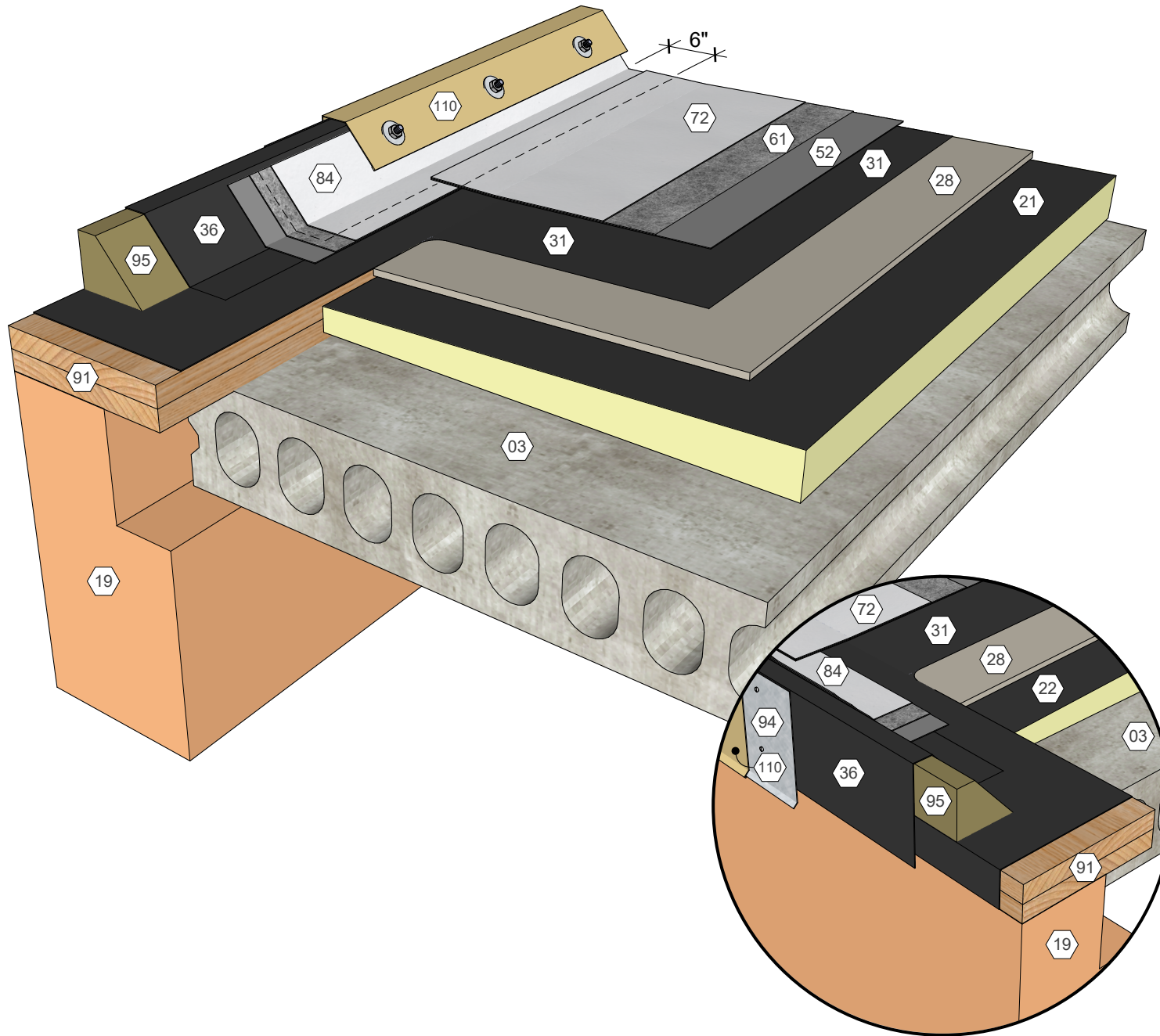
TREMCO
ROOFING & BUILDING MAINTENANCE



- ### KEY NOTES
- 02 Structural Concrete Deck
 - 09 Roof Structure
 - 19 Wall Assembly
 - 21 Polyisocyanurate Insulation (Adhered)
 - 28 Cover Board (Adhered)
 - 31 Approved Base Ply Sheet
 - 36 Base Sheet Liner
 - 52 AlphaGuard BIO Base Coat
 - 61 AlphaGuard Glass Mat or Permafab
 - 72 AlphaGuard BIO Top Coat
 - 84 AlphaGuard Flashing
 - 91 Wood Blocking
 - 94 Continuous Cleat
 - 95 Cant Strip
 - 110 Sheet Metal Fascia Cap



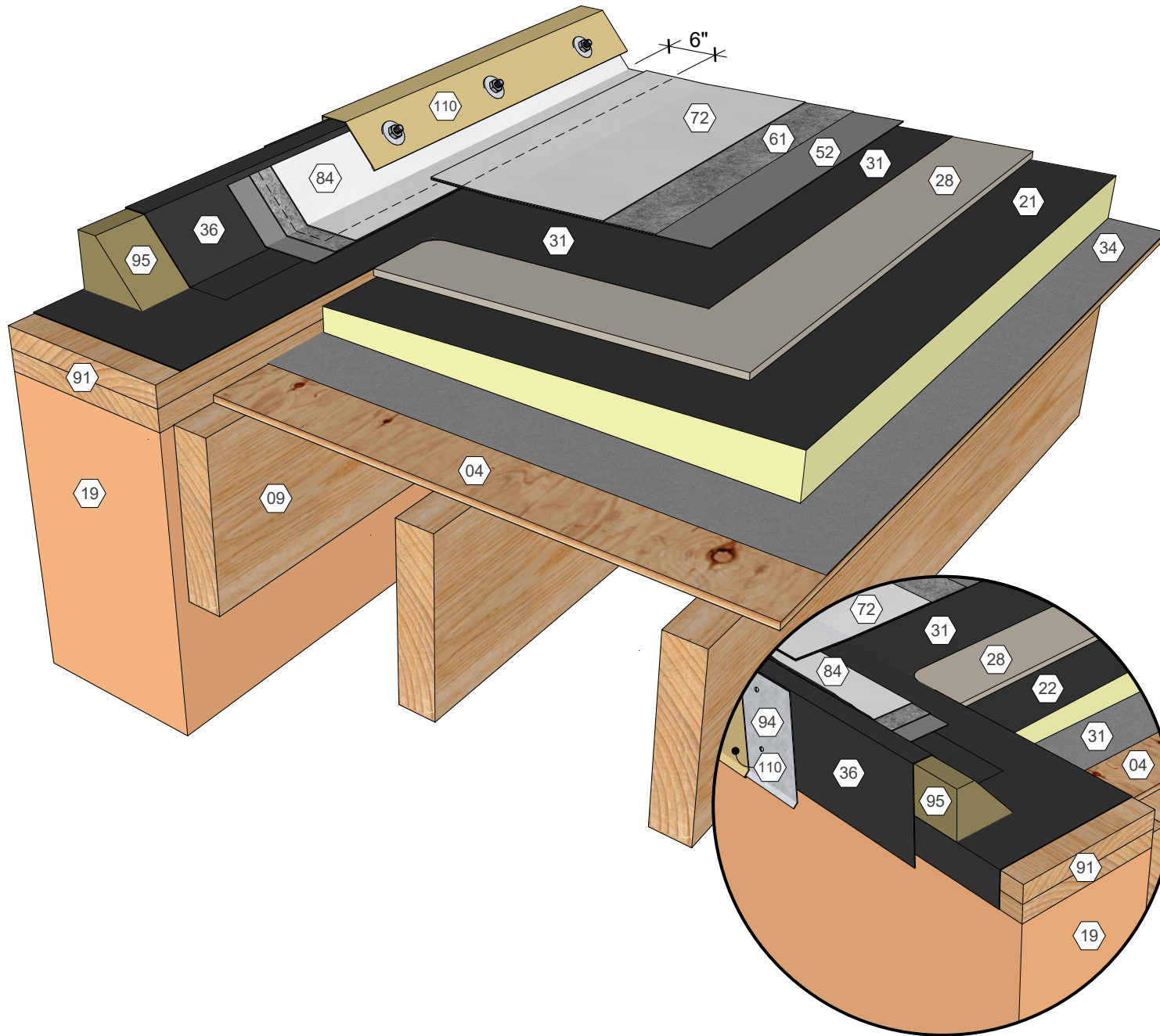
AlphaGuard® BIO Plus Raised Perimeter Edge Detail, Structural Concrete Deck
 Detail 23022



KEY NOTES

- 03 Precast Concrete Deck
- 09 Roof Structure
- 19 Wall Assembly
- 21 Polyisocyanurate Insulation (Adhered)
- 28 Cover Board (Adhered)
- 31 Approved Base Ply Sheet
- 36 Base Sheet Liner
- 52 AlphaGuard BIO Base Coat
- 61 AlphaGuard Glass Mat or Permafab
- 72 AlphaGuard BIO Top Coat
- 84 AlphaGuard Flashing
- 91 Wood Blocking
- 94 Continuous Cleat
- 95 Cant Strip
- 110 Sheet Metal Fascia Cap

AlphaGuard® BIO Plus Raised Perimeter Edge Detail, Precast Concrete Deck
 Detail 23023

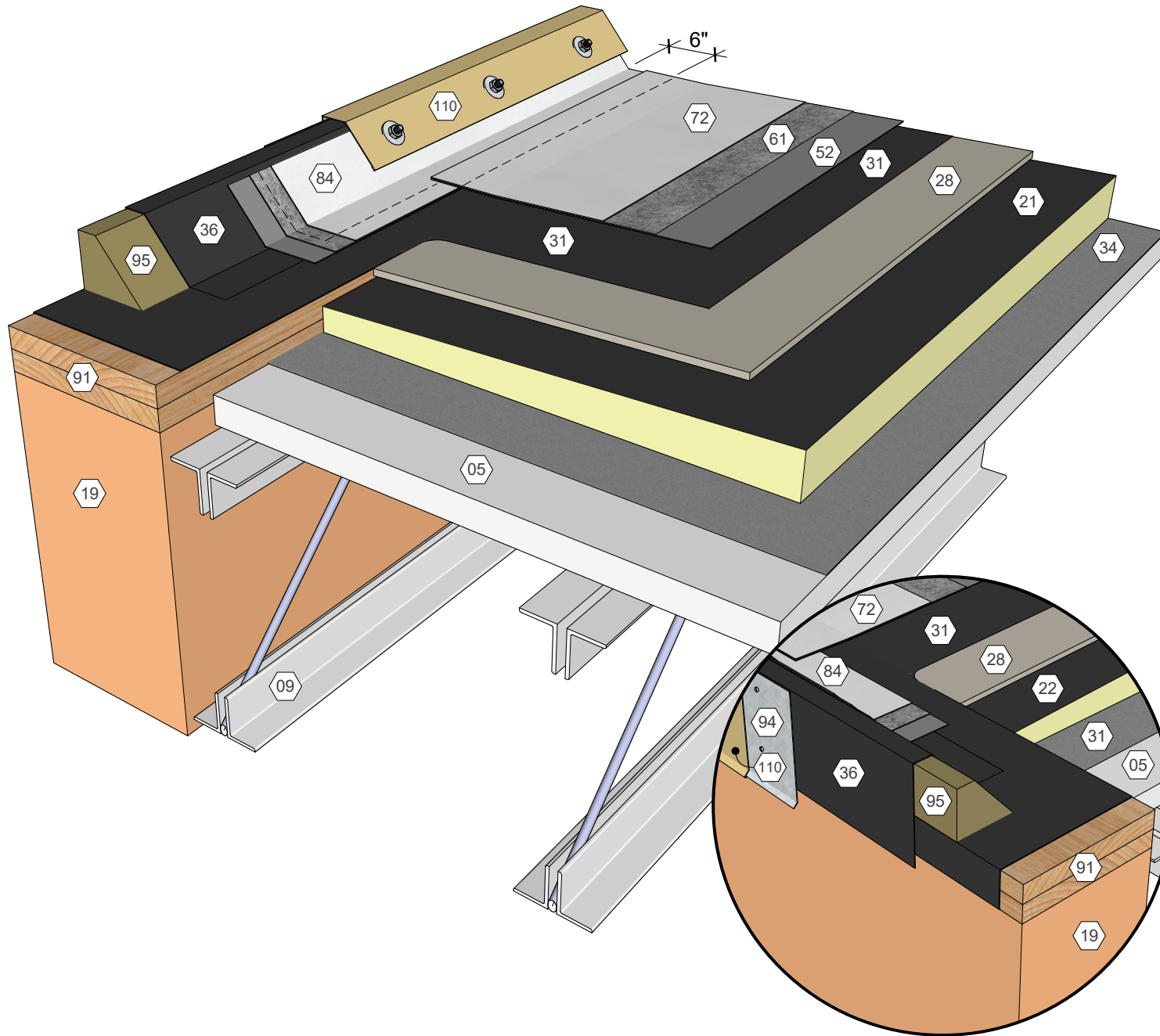


KEY NOTES

- 04 Wood Deck
- 09 Roof Structure
- 19 Wall Assembly
- 21 Polyisocyanurate Insulation (Adhered)
- 28 Cover Board (Adhered)
- 31 Approved Base Ply Sheet
- 34 Base Sheet (Fastened)
- 36 Base Sheet Liner
- 52 AlphaGuard BIO Base Coat
- 61 AlphaGuard Glass Mat or Permafab
- 72 AlphaGuard BIO Top Coat
- 84 AlphaGuard Flashing
- 91 Wood Blocking
- 94 Continuous Cleat
- 95 Cant Strip
- 110 Sheet Metal Fascia Cap

AlphaGuard® BIO Plus Raised Perimeter Edge Detail, Wood Deck
Detail 23024

TREMCO
ROOFING & BUILDING MAINTENANCE



KEY NOTES

- 05 Gypsum Deck
- 09 Roof Structure
- 19 Wall Assembly
- 21 Polyisocyanurate Insulation (Adhered)
- 28 Cover Board (Adhered)
- 31 Approved Base Ply Sheet
- 34 Base Sheet (Fastened)
- 36 Base Sheet Liner
- 52 AlphaGuard BIO Base Coat
- 61 AlphaGuard Glass Mat or Permafab
- 72 AlphaGuard BIO Top Coat
- 84 AlphaGuard Flashing
- 91 Wood Blocking
- 94 Continuous Cleat
- 95 Cant Strip
- 110 Sheet Metal Fascia Cap

AlphaGuard® BIO Plus Raised Perimeter Edge Detail, Gypsum Deck
Detail 23025

TREMCO
ROOFING & BUILDING MAINTENANCE